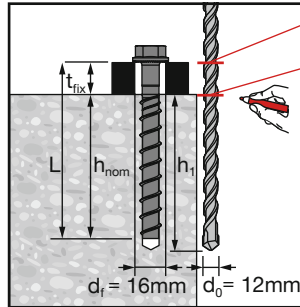
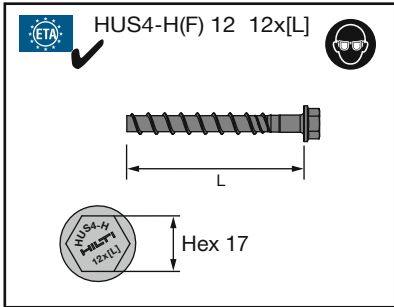




2310562-2025.06.04

<p>① CE</p> <p>25 Hilti AG LI-9494 Schaan Hilti Werke 2873-CPR-201-72 ETA-20/0867 Notified body 2873 EAD 330232-01-0601 Product for fixing to- or connecting/supporting of building structures www.hilti.group</p>	<p>② CE</p> <p>25 Hilti AG, LI-9494 Schaan Hilti Werke 2873-CPR-201-73 ETA-18/1160 Notified body 2873 EAD 332795-01-0601 Product for fixing to- or connecting/supporting of building structures www.hilti.group</p>	<p>③ CE</p> <p>22 Hilti AG, LI-9494 Schaan Hilti Werke 2873-CPR-201-78 ETA-21/0969 Notified body 2873 EAD 332347-00-0601 Product for fixing to- or connecting/supporting of building structures www.hilti.group</p>
---	--	--

	①	②	③		①	②	③
HUS4-H 12×70	✓	✓		HUS4-HF 12×70	✓		
HUS4-H 12×90	✓	✓		HUS4-HF 12×90	✓		
HUS4-H 12×100	✓	✓		HUS4-HF 12×100	✓		
HUS4-H 12×110	✓	✓		HUS4-HF 12×110	✓		
HUS4-H 12×130	✓	✓		HUS4-HF 12×130	✓		
HUS4-H 12×150	✓	✓		HUS4-HF 12×150	✓		



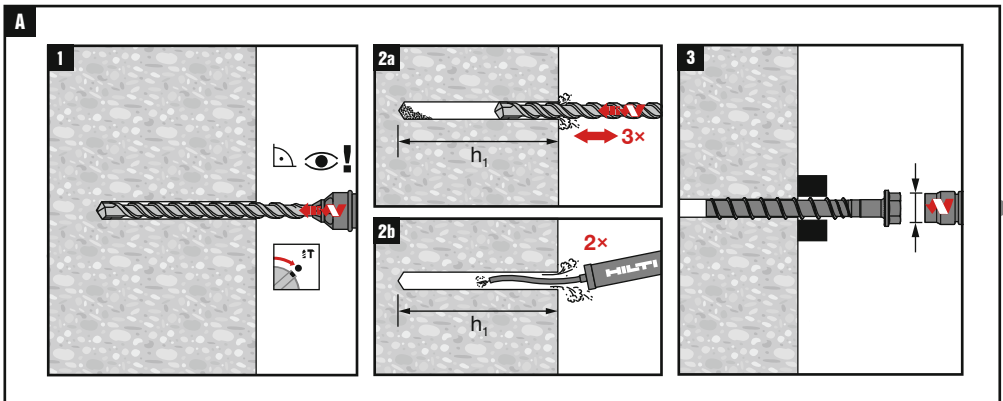
! $\geq h_1 + t_{fix}$

! $\geq h_1$

	h_{nom} [mm]
	≥ 60

	$h_1 = h_{nom} + 34$ mm	2a
	$h_1 = h_{nom} + 10$ mm	2b

SIW 6AT-A22 1/2", SIW 4AT-22 1/2"	
SIW 6-22 1/2"	✓
SIW 22T-A 1/2", SIW 22T-A 3/4"	✓
SIW 9-A22 3/4"	✓
SIW 8-22 1/2"	✓
SIW 10-22 3/4"	✓



4 optional

4a

4b

	h_{nom} [mm]	
	< 60	
	≥ 60	

5

B

DIBt - aBG

1

2

NURON

3a

3b

4a

4b